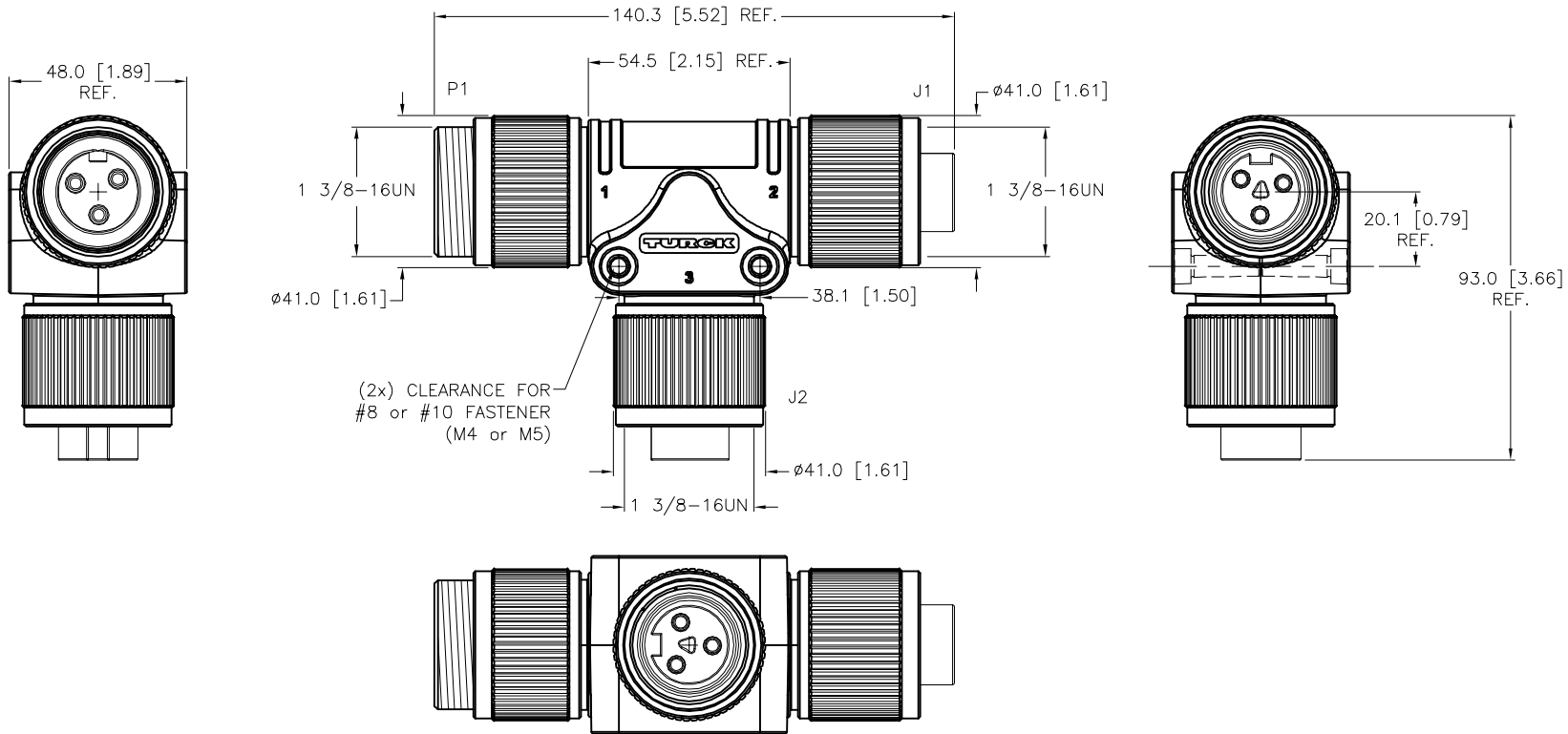


SPECIFICATIONS	
CONTACT CARRIER MATERIAL	PVC
MOLDED MATERIAL/COLOR	PVC/BLACK
CONTACT MATERIAL/PLATING	BRASS or COPPER/GOLD
COUPLING NUT MATERIAL/PLATING	ALUMINUM/CLEAR-ANODIZED
RATED CURRENT [A]	40.0 A
RATED VOLTAGE [V]	600 V
TEMPERATURE RATING	-40°C to +90°C (-40°F to +194°F)
PROTECTION CLASS	MEETS NEMA 1,3,4,6P AND IEC IP67, IP68, IP69K



SOURCE DRAWING - FOR REFERENCE ONLY

CAUTION:
 RISK OF ELECTRICAL SHOCK
 DO NOT DISCONNECT UNDER LOAD

RELATED DOCUMENTS 1. 2. 3. 4.	3RD ANGLE PROJECTION 	THIS DRAWING IS CONFIDENTIAL AND THE PROPERTY OF TURCK INC. USE OF THIS DOCUMENT WITHOUT WRITTEN PERMISSION IS PROHIBITED.		3000 CAMPUS DRIVE MINNEAPOLIS, MN 55441 1-800-544-7769 (763) 553-7300 (763) 553-0708 fax www.turck.us		
	MATERIAL SEE SPECIFICATIONS	ALL DIMENSIONS DISPLAYED ON THIS DRAWING ARE FOR REFERENCE ONLY	DRFT KMY DATE 04/30/13			
	FINISH SEE SPECIFICATIONS		APVD M.B. SCALE 1=2.0			
	UNIT OF MEASUREMENT MILLIMETER [INCH]		IDENTIFICATION NO. U2-20594		REV E	
DO NOT SCALE THIS DRAWING		FILE: U2-20594		SHEET 1 OF 1		

E	UPDATE RATED VOLTAGE AND CURRENT	RDS	01/18/21	500000002372
REV	DESCRIPTION	BY	DATE	ECO NO.